



ACK4

Chain actuator – Thrust force 300N – Max stroke 400 mm

Adjustment of the stroke in 7 positions from 100 to 400mm (international patent).



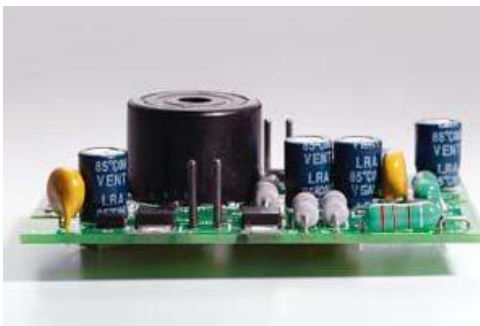
Double link stainless steel chain.



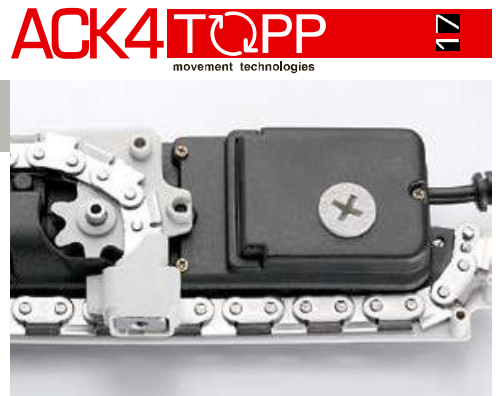
Simple swivel brackets, fast and suitable for windows of any type and size (not included in the packaging).



Acoustic device to indicate wrong installation (buzzer).



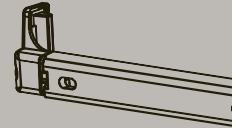
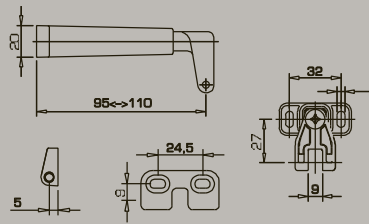
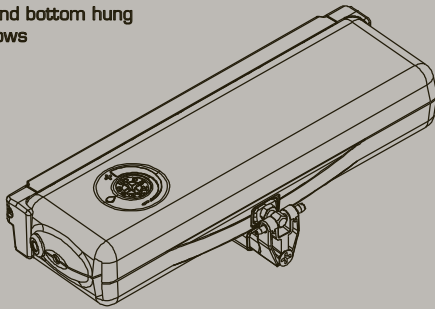
High protection degree IP 55.



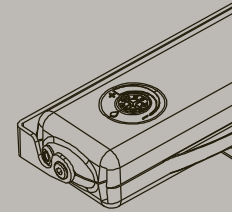
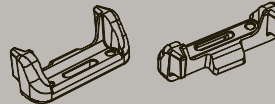
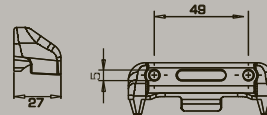
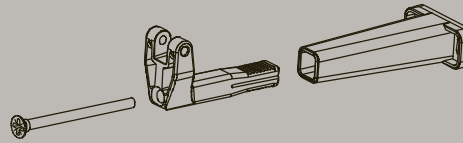
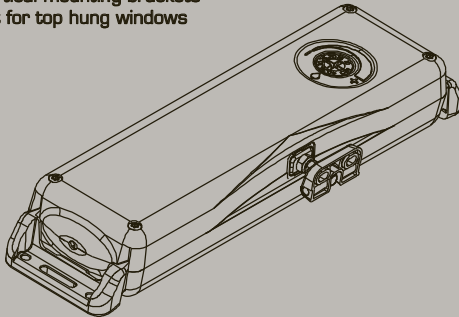
ACK4TOPP
movement technologies



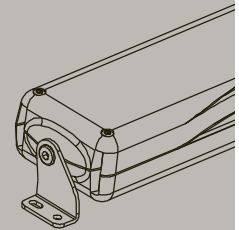
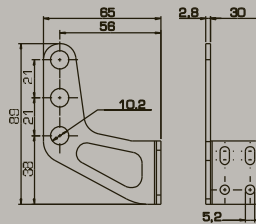
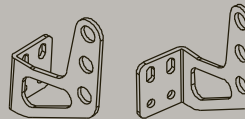
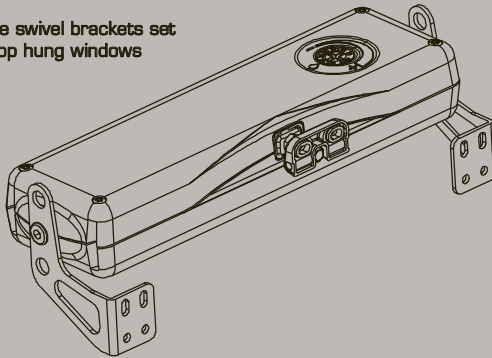
Standard brackets for top and bottom hung windows



Vertical mounting brackets set for top hung windows

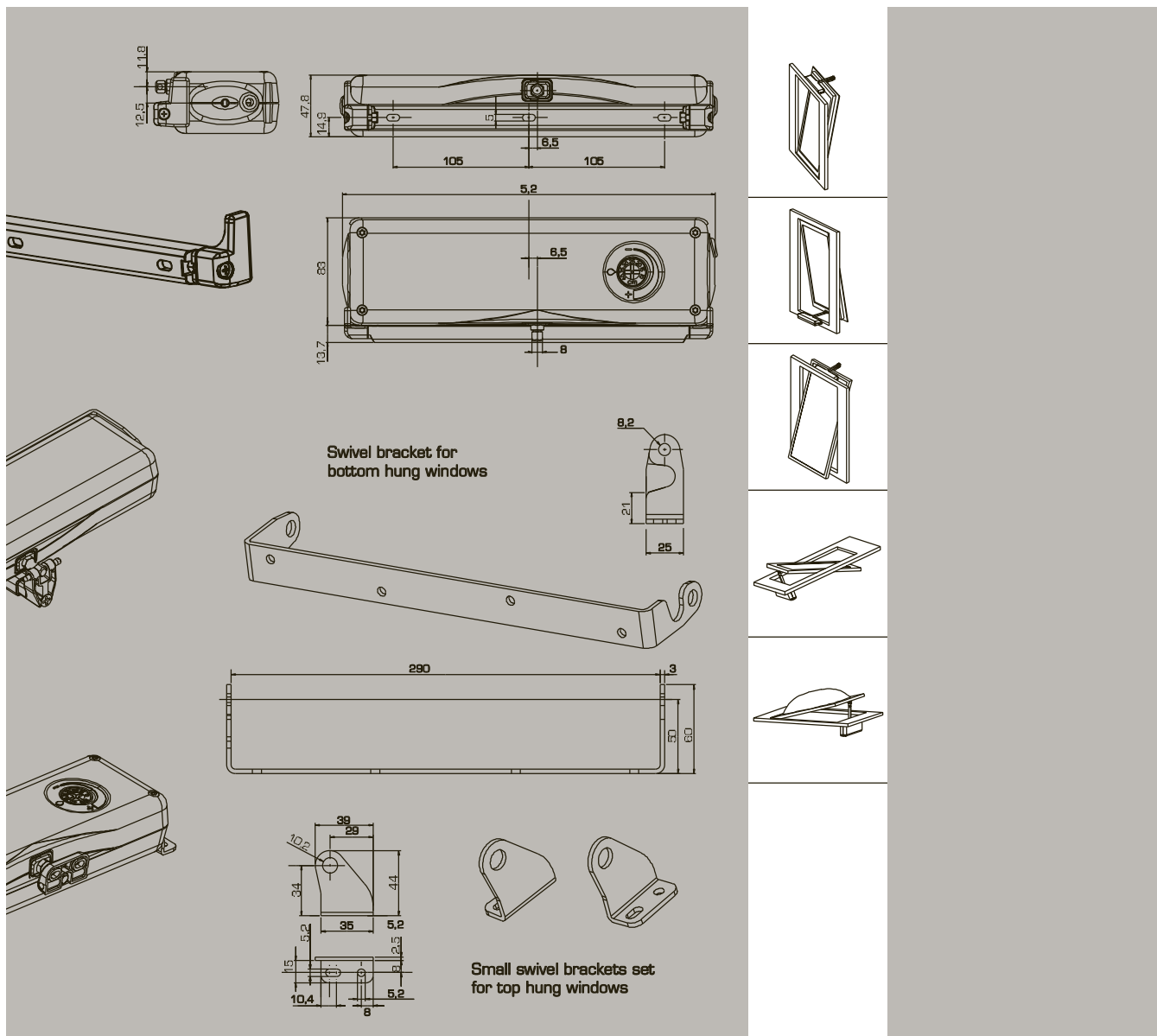


Large swivel brackets set for top hung windows



Technical characteristics

	ACK4/230	ACK4/24
Power supply voltage	230V~50 Hz	24V d.c.
Max recommended load in thrust/traction position	300 N	
Stroke end adjustable at	100-150-200-250-300-350-400 mm	
Absorbed current	0,32 A	2,10 A
Idle translation speed	28 mm/s	18 mm/s
Duration of the idle stroke	14 s	22 s
Double electric insulation	yes	-
Service type	S2 of 2 min	S2 of 3 min
Operating temperature	-5 +50 °C	
Protection degree of electric devices	IP55	
Stroke end regulation (in closing) to window frame	10 mm	
Connection of two or more actuators in parallel	yes	
Connection/synchronisation of two ACK4* on the same window	with kit USA2 only	
Chain position control	yes	
End of stroke	by encoder	
Electronics with acoustic device to warn the user of wrong installation	yes	
Dimensions	288,5x83x47,8 mm	
Weight** of installed equipment	1,9 Kg	
* min. distance between the motors: 1500 mm		
**the weight indicated in the table is subject to eventual variations according to the accessories chosen		



Description for technical specifications

<p>Electric actuator TOPP model ACK4 with double-link chain made of STAINLESS steel, contained in a die-cast body of aluminum alloy coated by epoxy powders, complete with support and fitting accessories for top and bottom hung windows.</p> <p>Operation at 230V~ 50Hz, as an alternative, at 24V d.c.. Max. traction and thrust force 300N. Max. stroke of 400 mm. Electronic stroke-end adjustable every 5 cm. by an external handgrip. Electronics with acoustic device that warns of any eventual incorrect installations. Electronic stroke end through an external handgrip on both sides of the actuator body. If required, USA 2 synchronization unit available, for the simultaneous running of 2 actuators on the same window. Protection degree of electric devices IP 55.</p> <p>CE marked device complying with the following directives: EEC 89/ 336, EEC 73/23 and following amendments.</p>
